

CTRX VISION+

5W Class B-SOTDMA AIS transponder with splitter



The new True Heading CTRX Vision+ is a modern 5 Watt AIS class B transponder, which uses the SOTDMA protocol. Just like AIS class A equipment, CTRX Vision+ participates in the time slot reservation plan, so it will always have a free timeslot available to transmit its position, at a higher update rate.

Former types of AIS, such as our previous Graphene AIS series, are CSTDMA transponders. These first listen to determine if there is a free time slot that can be used. This works fine at sea, but not in port areas and busy waters such as the English Channel and waterways around Antwerp and Rotterdam. In these areas, certainty about visibility is essential. Older type of transponders that just skips broadcasts be-

cause there is no free time slot, do not offer this certainty. True Heading CTRX Vision+ does.

The CTRX Vision+ has a built-in high performance antenna splitter, which shares the antenna with the VHF antenna without signal loss, an option that is very useful for the leisure market where finding a good location for an extra antenna causes problems.

CTRX Vision+ is small and light, ultra power efficient and easy to install.

Of course, the transponder can be connected to the plotter or tablet with the electronic chart in many ways: NMEA 0183, NMEA2000 and USB.



Sales office:

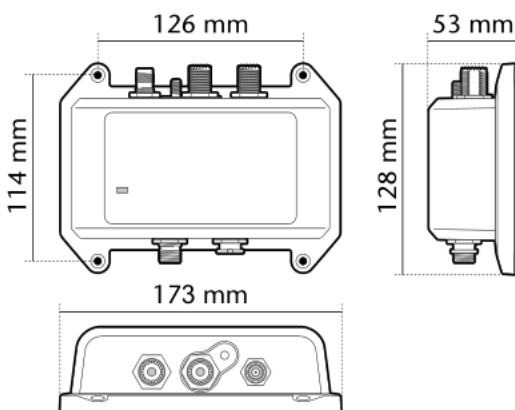
Shiptron Trading BV,

De Dolfijn 24, 1601MG Enkhuizen, The Netherlands tel.: +31228317004 email: info@shiptrontrading.com

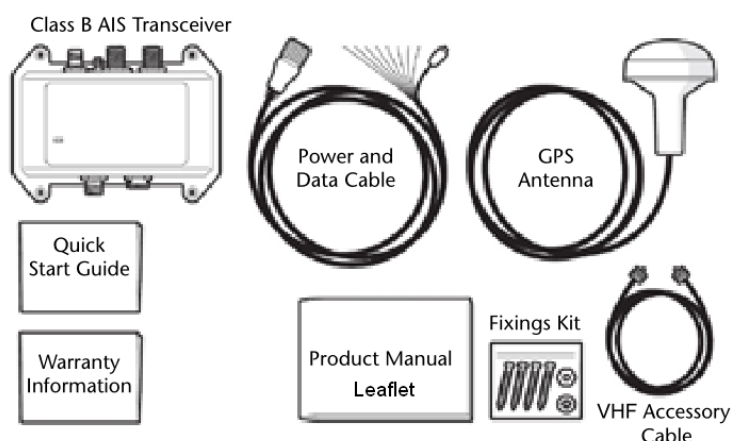
Technical specifications

Dimensions	173 x 128 x 53 mm (L x W x H)	
Weight	380g (AIS transponder unit only)	
Power	Power supply DC 12 - 24V Current consumption <220mA at 12VDC	
Data interface	USB NMEA0183 38,400 baud output (IEC61162-1) NMEA0183 4,800 baud input (IEC61162-1) NMEA2000 Silent Mode Switch input	
Connectors	VHF antenna output SO-239 VHF radio input connector SO-239 GNSS antenna TNC NMEA2000 standard Microconnector 12 way power input / NMEA0183 / USB / silent mode	
User Interface	LED indicator for Power, TX timeout, Error, Silent Mode	
VHF Transceiver	Frequency 161.975MHz to 162.025MHz 1 Transmitter, output power 5W, SOTDMA protocol 2 receivers, sensitivity \leftarrow 110dBm @20% PER	
GNSS Receiver	72 channels, GPS-GLONASS-SBAS	
RF Interfaces	Insertion loss: receive 0dB / transmit <1dB Power handling VHF port: 25W Operating frequency range: 156MHz to 163MHz	
Standards Compliance	AIS Standards	IEC62287-1 Ed3 IEC62287-2 Ed2 ITU-R M.1371-5
	GNSS performance standards	IEC61108-1 Ed 2.0 IEC61108-2 Ed 1.0
	Serial data interface standards	IEC61162-1 Ed 5.0 IEC61162-2 Ed 1.0
	NMEA2000® Interface standard	NMEA2000® Edition 3.101
	Product Safety	EN60950-1 2006 +A11:2009 +A1:2010 +A12:2011 +A2:2013
	Environmental standard	IEC60945 Edition 4
Environmental	Waterproof IP66 and IP67, IEC 60945 Exposed Category Operating temperature: -25°C to +55°C	

Dimensions:



What's in the box?



This document is Shiptron Trading BV copyright. Shiptron's policy is focused on continuous research and development. Therefore, Shiptron reserves the right to change specifications without prior notice.



Sales office:

Shiptron Trading BV,
De Dolfijn 24, 1601MG Enkhuizen, The Netherlands tel.: +31228317004 email: info@shiptrontrading.com